

# S-2000/S-2001 ACOUSTIC SYSTEMS



**KELONIK CINEMA SOUND**

K.C.S. S-2000 and S-2001 two-way speaker systems are high quality extra-flat sets especially designed for the screen channel in small/medium size auditoria with very short space available between screen and rear wall.

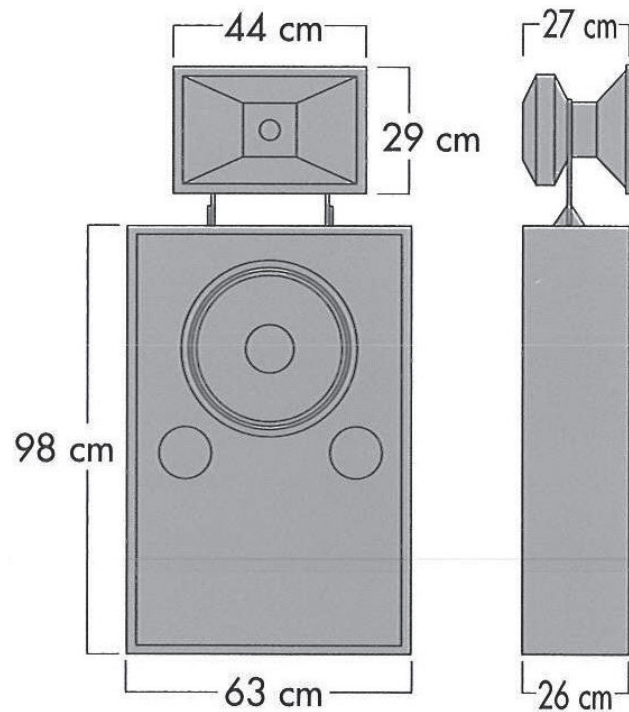
These speaker systems feature one extra-flat direct radiation technology bass cabinet with one 15" Ø woofer. The high frequency section has a compression driver with 4" Ø titanium membrane, 2" Ø mouth and a constant directivity horn.

S-2000 system has a built-in passive crossover with 500 Hz cut frequency, while S-2001 is designed for biamplified applications and to operate with 500 Hz external electronic crossover.



Extraflat screen channel cinema sound system for medium capacity theaters

# S-2000 / S-2001 ACOUSTIC SYSTEMS



## TECHNICAL DATA

	S-2000	S-2001
Frequency Range (-10 dB)	40 Hz – 20 kHz	
Nominal Impedance	8 Ω	8 Ω
<b>POWER CAPACITY</b>		
Continuous <i>Pink Noise</i> <sup>(1)</sup>	700 W	LF 700 W HF 80 W
Continuous Program	1400 W	LF 1400 W HF 160 W
Sensitivity 1W/1m	97 dB S.P.L.	LF 97 dB S.P.L. HF 110 dB S.P.L.
Crossover Frequency	500 Hz Passive included	500 Hz Active not included
Horizontal Beamwidth	90°	
Vertical Beamwidth	45°	
Dimensions (H x W x D)	131 x 63 x 27cm	131 x 63 x 27cm
Net Weight	37 kg	34 kg

(1) Based on a 2 hour test using a continuous 6 dB crest factor pink noise signal band limited according to IEC 268-1 (1985).

## COMPONENTS

	S-2000	S-2001
Cabinet	C-115 PLF	C-115 PL
Low Frequency Driver	S-1535	S-1535
Passive Network	F-C15	-
High Frequency High	S-801	S-801
Frequency Horn	S-201 E	S-201 E
Fixed Mount	SP-2F	SP-2F